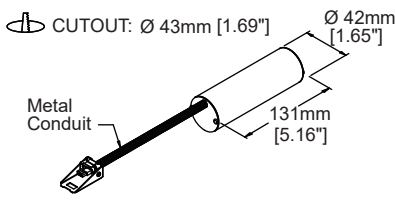

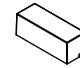
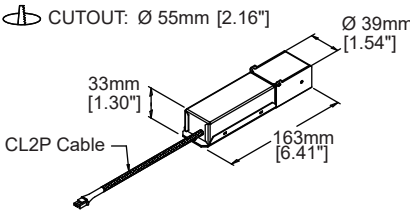
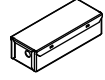
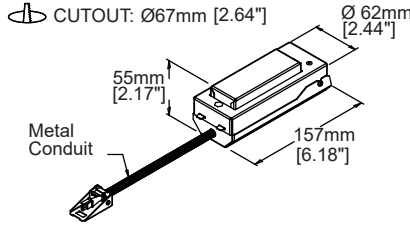
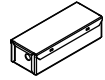
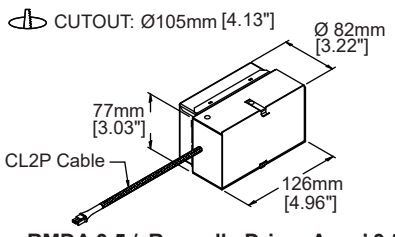
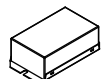
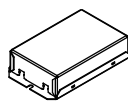


# Remodel Driver Assembly

Macron offers remodel driver assy' for US Non-IC, remodel installation.  
 Pick up the assy' to meet the cut-out of your Luminary design, the select the driver.  
 Macron can add the thermal protector per your request, please consult Macron for any question.

Remodel Driver Assy'	Driver can fit into the assembly	
 <p><b>RMDA 1.5 / Remodel Driver Assy' 1.5"</b></p>	 <p><b>T6 Driver /</b>                      Dimention:                      56mm(L) x 31mm(W) x 20mm(H)                      Max. wattage: 10W</p>	 <p><b>T9 Driver /</b>                      Dimention:                      72mm(L) x 26.5mm(W) x 25.5mm(H)                      Max. wattage: 10W</p>
 <p><b>RMDA 1.75 / Remodel Driver Assy' 1.75"</b></p>	 <p><b>D6 Driver/</b>                      Dimension:                      100mm(L) x 39mm(W) x 28mm(H)                      Max. wattage: 20W</p>	
 <p><b>RMDA 2.0 / Remodel Driver Assy' 2.0"</b></p>	 <p><b>D6 Driver/</b>                      Dimension:                      100mm(L) x 39mm(W) x 28mm(H)                      Max. wattage: 20W</p>	
 <p><b>RMDA 3.5 / Remodel Driver Assy' 3.5"</b></p>	 <p><b>DJ Driver/</b>                      Dimension:                      123mm(L) x 72mm(W) x 29mm(H)                      Max. wattage: 25W</p>	 <p><b>D8 Driver/</b>                      Dimension:                      123mm(L) x 72mm(W) x 29mm(H)                      Max. wattage: 40W</p>